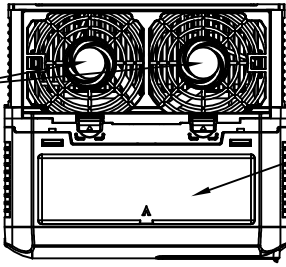
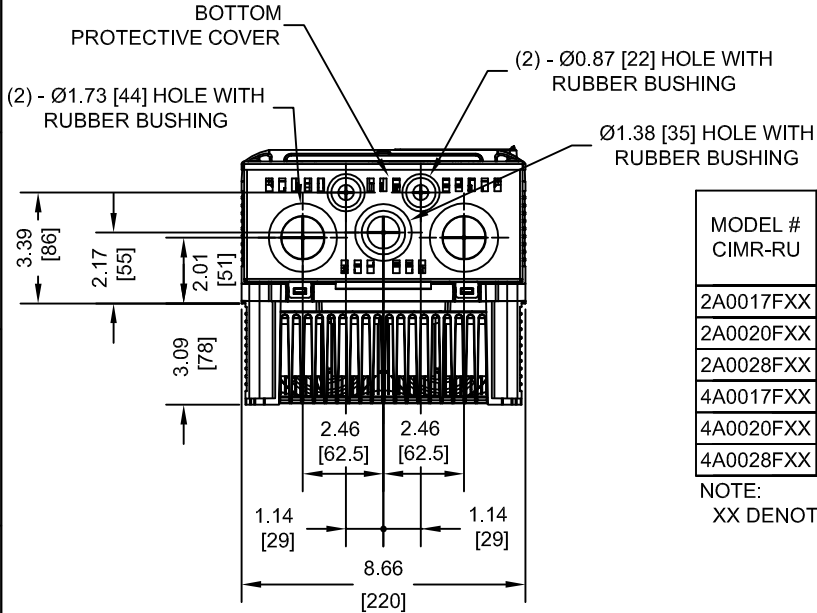
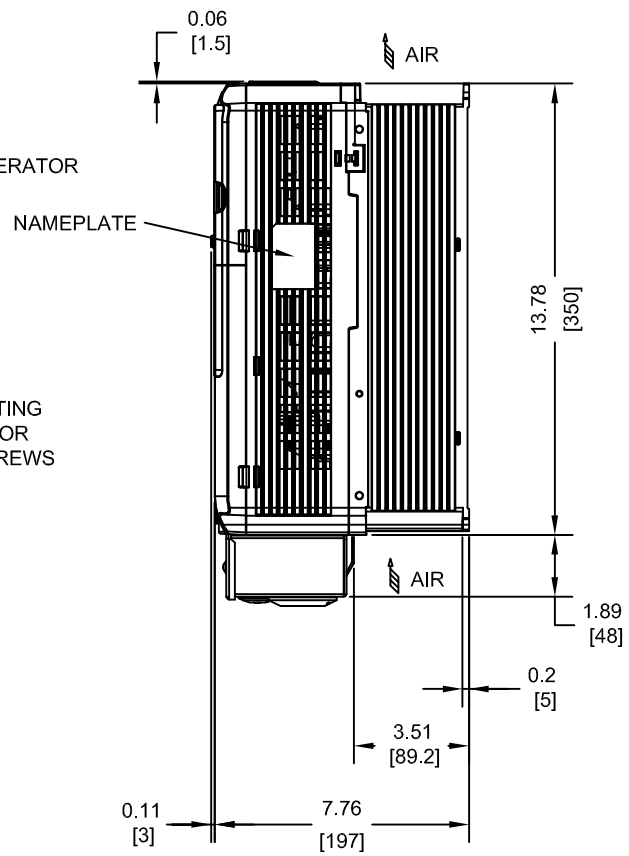
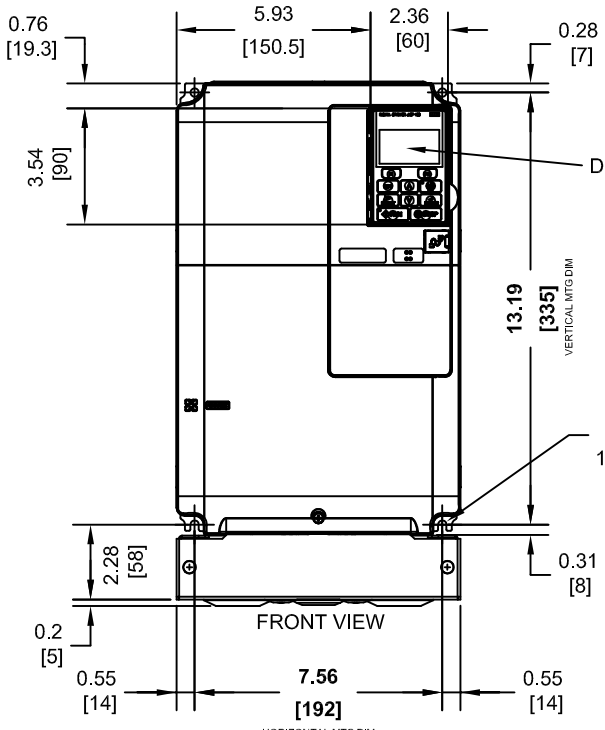


(2) EXTERNAL COOLING FANS



TOP PROTECTIVE COVER

**NOTE:**  
 PROTECTIVE COVERS ARE FACTORY INSTALLED TO THE TOP AND BOTTOM OF THE DRIVE TO MEET IP20 & NEMA TYPE 1 REQUIREMENTS, RESULTING IN AN AMBIENT TEMPERATURE RATING OF 104F(40C). REMOVE THESE COVERS WHEN OPERATING THE DRIVE WITHIN A PANEL TO OBTAIN THE MAXIMUM SURROUNDING AIR TEMPERATURE RATING OF 122F(50C). REMOVING THESE COVERS RESULTS IN AN ENCLOSURE RATING OF IP00.



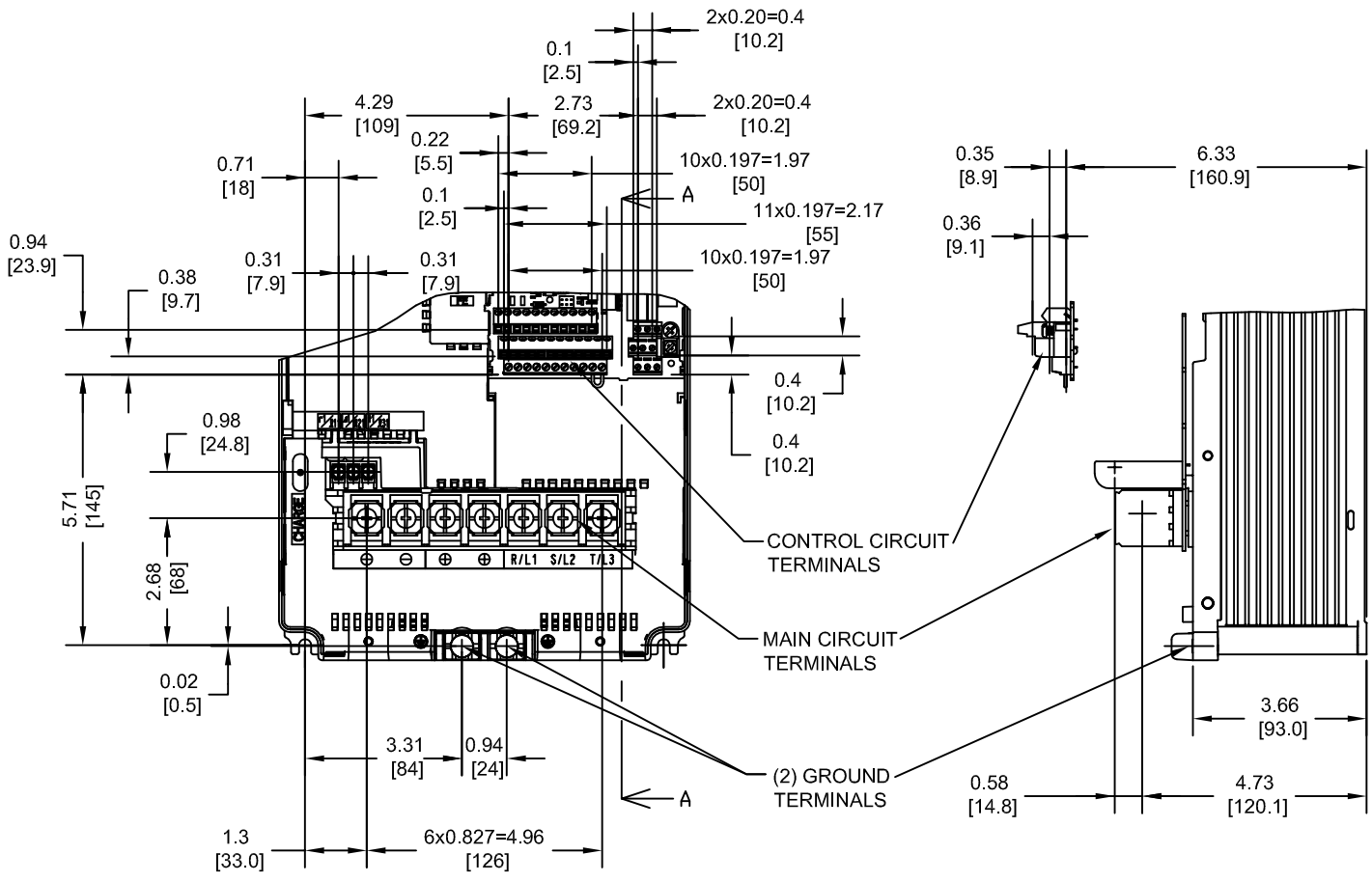
MODEL # CIMR-RU	VOLTAGE THREE-PHASE (VAC)	OUTPUT CAPACITY (kW)	WEIGHT LBS (Kg)	HEAT LOSS (W)		
				INT	EXT	TOT
2A0017FXX	200/240	17	19.8 (9.0)	53	155	208
2A0020FXX		20	19.8 (9.0)	67	201	268
2A0028FXX		28	19.8 (9.0)	98	270	368
4A0017FXX	380/480	17	17.6 (8.0)	44	91	135
4A0020FXX		20	17.6 (8.0)	50	114	164
4A0028FXX		28	19.8 (9.0)	66	174	240

**NOTE:**  
 XX DENOTES AA-ZZ  
 INT=INTERNAL COMPONENTS  
 EXT=EXTERNAL HEATSINK  
 TOT=TOTAL

FOR ADDITIONAL DETAILS AND SPECIFICATIONS, CONSULT MANUAL

TOLERANCES / REFERENCES:			DRAWN: J. MATTAS DATE: 9-2-14	TITLE: R1000 DIMENSION DRAWING FRAME SIZE 3 NEMA TYPE 1 ENCLOSURE 2A0017F - 2A0028F, 4A0017F - 4A0028F
UNITS: IN[mm] SCALE: 1:6			CHECKED: J. PIOTROWSKI DATE: 10-7-14	DATE: 11-18-14
THIS DOCUMENT AND INFORMATION CONTAINED IN IT ARE CONFIDENTIAL, AND CANNOT BE COPIED OR DISCLOSED IN WHOLE OR IN PART WITHOUT THE EXPRESS WRITTEN CONSENT OF YASKAWA AMERICA, INC.		TECH: J. BORJA DATE: 9-22-14	APPROVED: J. CAIRO	DRAWING #: DD.R1K.FR3.N1

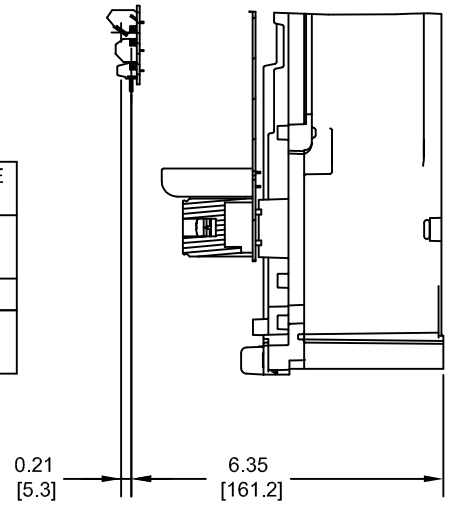
TERMINAL AND WIRING DETAILS (SCALE 1:4)



TERMINAL AND WIRE SPECIFICATIONS FOR MAIN CIRCUIT AND GROUND

MODEL # CIMR-RU	TERMINAL SYMBOL	TERMINAL SCREW	CLAMPING TORQUE lb.in.(N.m.)	WIRE RANGE AWG(mm <sup>2</sup> )
2A0017F 2A0020F 2A0028F	R/L1, S/L2, T/L3, ⊖, ⊕	M6	31.9 TO 35.4 (3.6 TO 4)	4-1 (25-35)
4A0017F 4A0020F 4A0028F	r1/211, s1/221, t1/231 ⊕	M3.5 M6	7.1 TO 8.9 (0.8 TO 1.0) 47.8 TO 53.1 (5.4 TO 6)	14 (2.5) 8-6 (10-16)

NOTE: REFER TO APPLICABLE CODES FOR PROPER WIRE TYPE AND SIZE

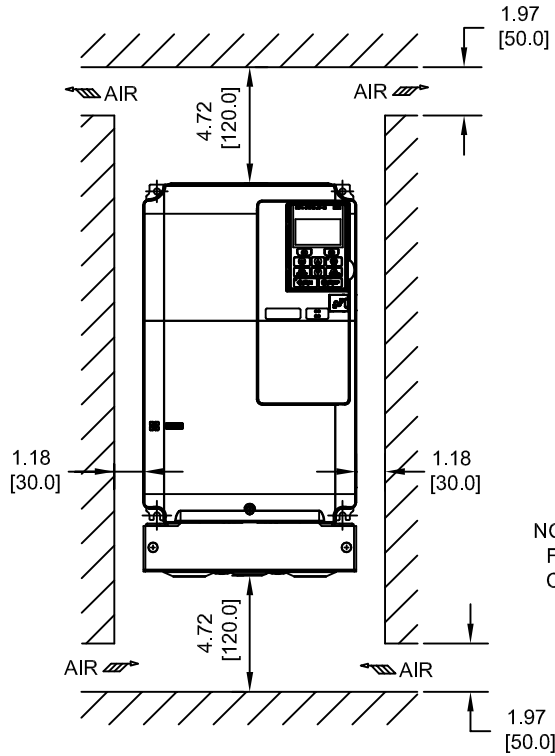


SECTION A-A

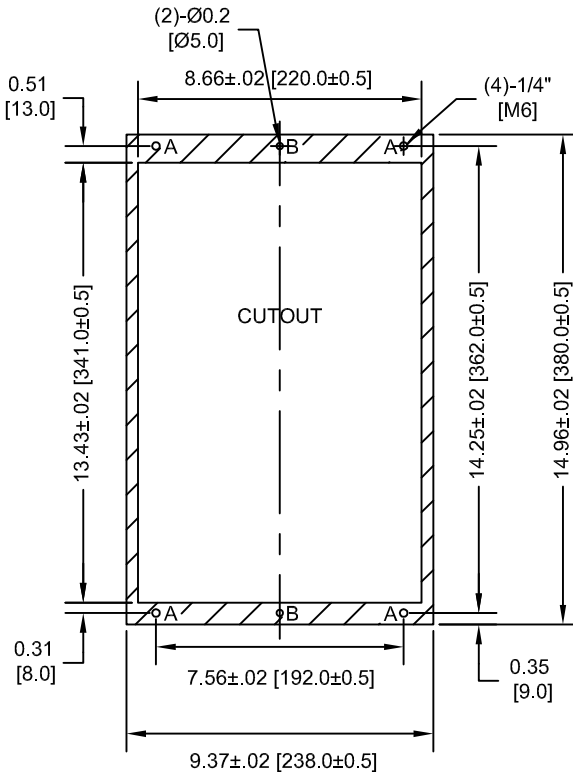
FOR ADDITIONAL DETAILS AND SPECIFICATIONS, CONSULT MANUAL

TOLERANCES / REFERENCES:			DRAWN: J. MATTAS CHECKED: J. PIOTROWSKI TECH: J. BORJA APPROVED: J. CAIRO ORIGINAL DESIGN: -	DATE: 9-2-14 DATE: 10-7-14 DATE: 9-22-14 DATE: 11-18-14 DATE: -	TITLE: R1000 DIMENSION DRAWING FRAME SIZE 3 NEMA TYPE 1 ENCLOSURE 2A0017F - 2A0028F, 4A0017F - 4A0028F
UNITS: IN[mm]	SCALE: BY VIEW		THIS DOCUMENT AND INFORMATION CONTAINED IN IT ARE CONFIDENTIAL, AND CANNOT BE COPIED OR DISCLOSED IN WHOLE OR IN PART WITHOUT THE EXPRESS WRITTEN CONSENT OF YASKAWA AMERICA, INC.	SIZE: A REVISION: R00 PAGE: 2 of 3	DRAWING #: <b>DD.R1K.FR3.N1</b>

MINIMUM INSTALLATION CLEARANCES (SCALE 1:8)



PANEL CUTOUT FOR EXTERNAL HEATSINK MOUNTING CONFIGURATION (SCALE 1:6)



NOTES:

- EXTERNAL HEATSINK CONFIGURATION REQUIRES MOUNTING KIT
- EXPOSED HEATSINK RECOMMENDED CLEARANCE D=3.35" MINUS PANEL THICKNESS

FOR ADDITIONAL DETAILS AND SPECIFICATIONS, CONSULT MANUAL

TOLERANCES / REFERENCES:			DRAWN: J. MATTAS	DATE: 9-2-14	TITLE: R1000 DIMENSION DRAWING FRAME SIZE 3 NEMA TYPE 1 ENCLOSURE 2A0017F - 2A0028F, 4A0017F - 4A0028F
			CHECKED: J. PIOTROWSKI	DATE: 10-7-14	
		THIS DOCUMENT AND INFORMATION CONTAINED IN IT ARE CONFIDENTIAL, AND CANNOT BE COPIED OR DISCLOSED IN WHOLE OR IN PART WITHOUT THE EXPRESS WRITTEN CONSENT OF YASKAWA AMERICA, INC.	TECH: J. BORJA	DATE: 9-22-14	SIZE: A REVISION: R00 PAGE: 3 of 3
UNITS: IN[mm]	SCALE: BY VIEW		APPROVED: J. CAIRO	DATE: 11-18-14	
			ORIGINAL DESIGN: -	DATE: -	